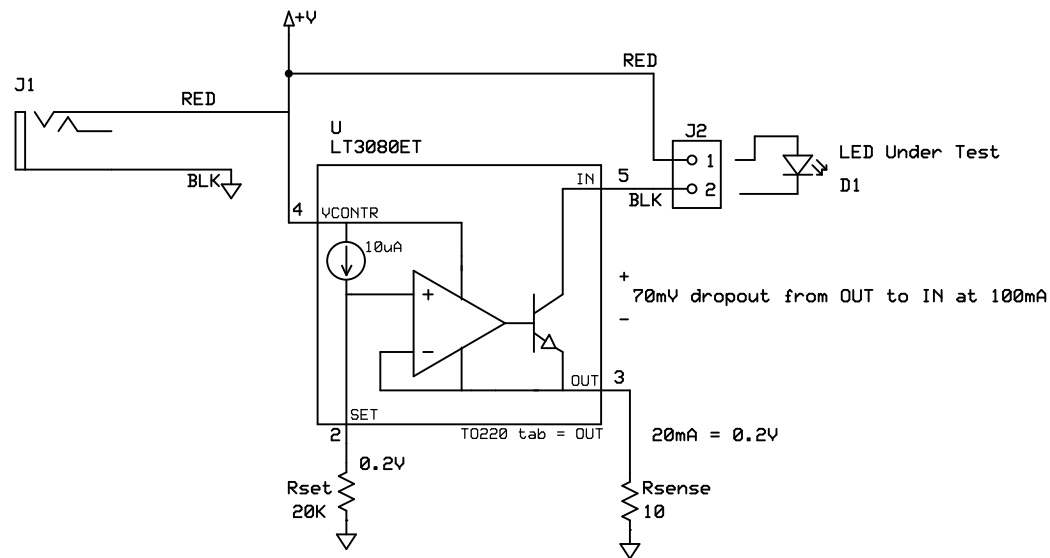


Vdropout from IN to OUT is 70mV up to 100mA output.
 Vdropout of VCONTRL signal (min voltage) is 1.4V

USB 1 and 2 have 100mA as 'unit load'; voltage is spec'd 4.75V to 5.25V; USB 3 might drop to 4.45V

this also works with 9V from wall wart too



NOTE: can also substitute Lead Free version:
 LT3080ET#PBF

Actinica		
USB Powered LED Current Source		
mike beach mike@actinica.com	Rev 0 15FEB2012	Page 1 of 1